

# TC7

series



---

## Product Segments

- **Comfort Motion**

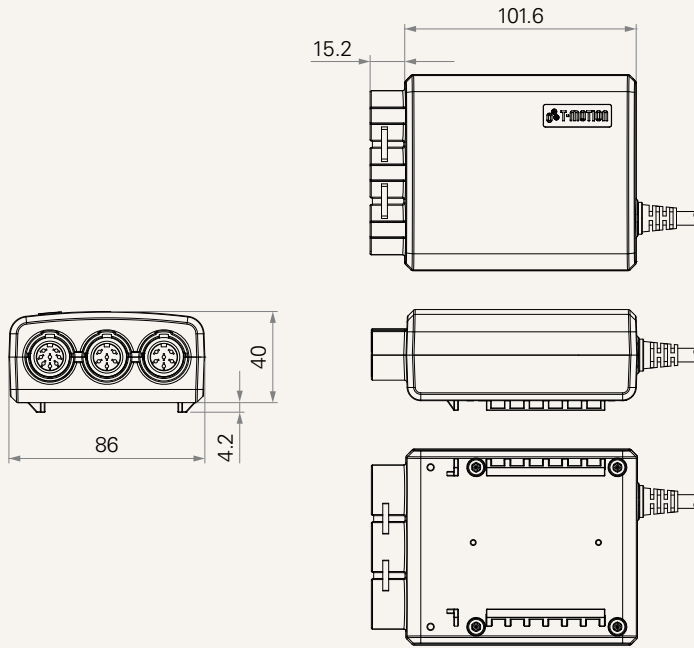
---

## General Features

Number of actuators	1~2
Color	Black or grey
Certificate	EMC
Specially designed for 2 actuators with synchronized movement	

**Drawing**

Standard Dimensions  
(mm)



# TC7 Ordering Key

TC7

Version: 20180321-E

---

<b>Number of Actuators</b>	1 = 1	2 = 2
<b>Color</b>	1 = Black	2 = Grey (Pantone 428C)
<b>Cable Length (mm)</b>	1 = Straight, 1000	
<b>Fixation</b>	1 = On the actuator	2 = On the bracket

---

---

## Terms of Use

The user is responsible for determining the suitability of TiMOTION products for a specific application. TiMOTION products are subject to change without prior notice.