

# TC10

series



## Product Segments

- **Care Motion**

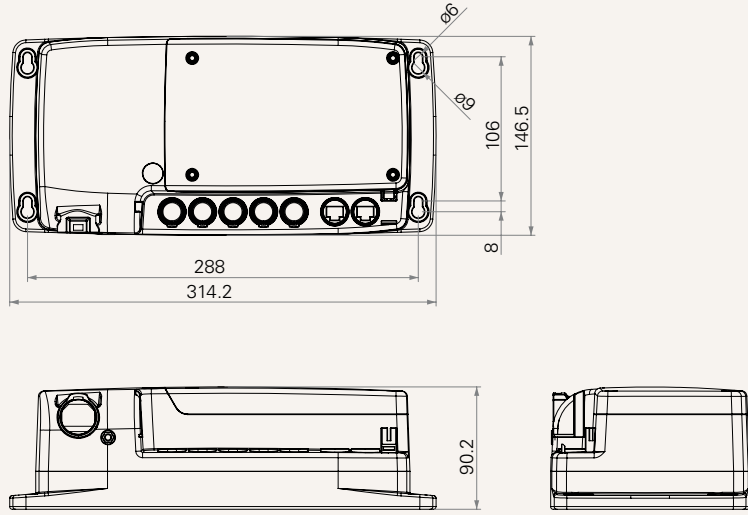
### General Features

Voltage	100V AC, 120V AC, 230V AC, or 100~240 V AC (SMPS)
Built-in transformer type	EI, Toroidal, or SMPS
Maximum output	29V DC, 5A
Plug support	EU, USA, AUS, UK, JPN
Number of actuators	1~5
Number of hand controls	1~2
Color	Black or grey
IP rating	Up to IP66
Certificate	IEC60601-1, ES60601-1, IEC60601-1-2
Options	built-in battery and alarm buzzer
Built-in power saving module	

# TC10 Series

## Drawing

Standard Dimensions  
(mm)



<b>Voltage</b>	1 = 100V AC	2 = 120V AC	3 = 230V AC	4 = 100~240V AC (SMPS)
<b>Plug</b>	1 = EU 2 = USA	3 = AUS 4 = UK	5 = JPN	
<b>Number of Actuators</b>	1 = 1 2 = 2	3 = 3 4 = 4	5 = 5	
<b>Handset Input</b>	1 = 1	2 = 2		
<b>Back Up Battery</b>	0 = Without	1 = With (1.2Ah)		
<b>Color</b>	1 = Black	2 = Grey (Pantone428C)		
<b>Cable Length (mm)</b>	1 = Straight, 2000	2 = Straight, 4000		
<b>IP Rating</b>	1 = Without	2 = IP54	3 = IP66	
<b>Buzzer</b>	0 = Without	1 = With		
<b>Grounding Function</b>	0 = Without	1 = With		
<b>Transformer</b>	2 = EI (3A) 4 = Toroidal (4A)	5 = Toroidal (5A) 6 = SMPS (2.5A)	7 = SMPS (4A)	

### Terms of Use

The user is responsible for determining the suitability of TiMOTION products for a specific application. TiMOTION products are subject to change without prior notice.