

TC14

series



Product Segments

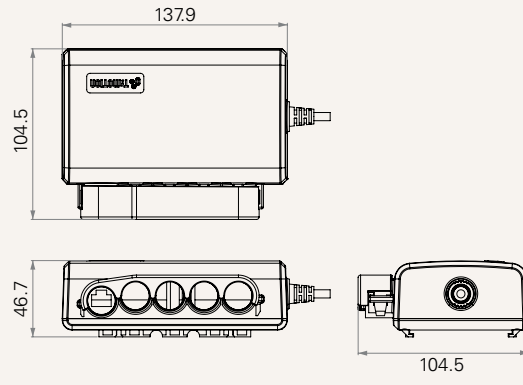
- **Care Motion**
- **Comfort Motion**
- **Industrial Motion**

General Features

Number of actuators	1~4
Color	Black or grey
IP rating	Up to IP66
Certificate	IEC60601-1, ES60601-1, IEC60601-1-2, UL962

Drawing

Standard Dimensions
(mm)



Number of Actuators	1 = 1	2 = 2	3 = 3	4 = 4
Color	1 = Black	2 = Grey (Pantone 428C)		
Cable Length (mm)	1 = Straight, 1000, 01 PIN, male		2 = Straight, 1000, DIN 5 PIN, male	
Fixation	1 = On the actuator(TA6/ TA6C / TA7 / TA10) 2 = On the steel bracket		3 = On the plastic bracket	
IP Rating	1 = Without	2 = IP54	3 = IP66	

Terms of Use

The user is responsible for determining the suitability of TiMOTION products for a specific application. TiMOTION products are subject to change without prior notice.