

MAIN FEATURES

Standard ϕ 63 mm encoder series for industrial applications with high mechanical resistance requirements. These encoders are designed to support high radial and axial shaft load and they can be mounted by means of flanges or fixing clamps.

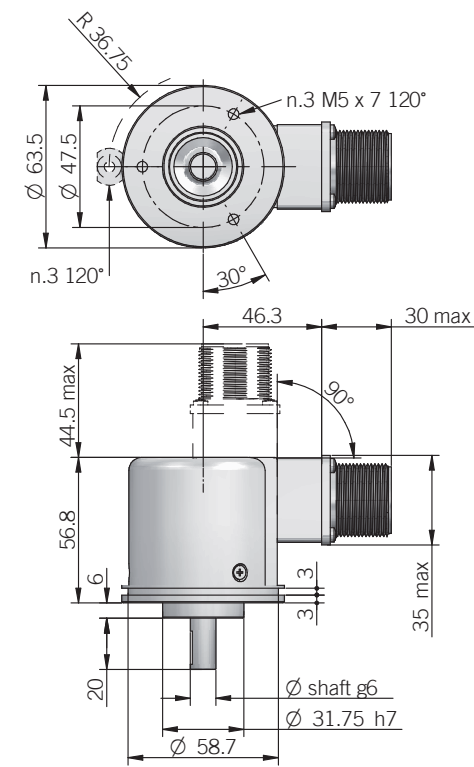
- 3 channel encoder (A / B / Z) up to 24000 ppr
- Power supply up to +28 V DC with several electrical interfaces available
- Up to 500 kHz output frequency
- Cable or connector output
- Available with metal cover for heavy duty applications
- Solid shaft diameter up to 10 mm
- Mounting by synchronous or centering 2,5" square flange



ORDERING CODE

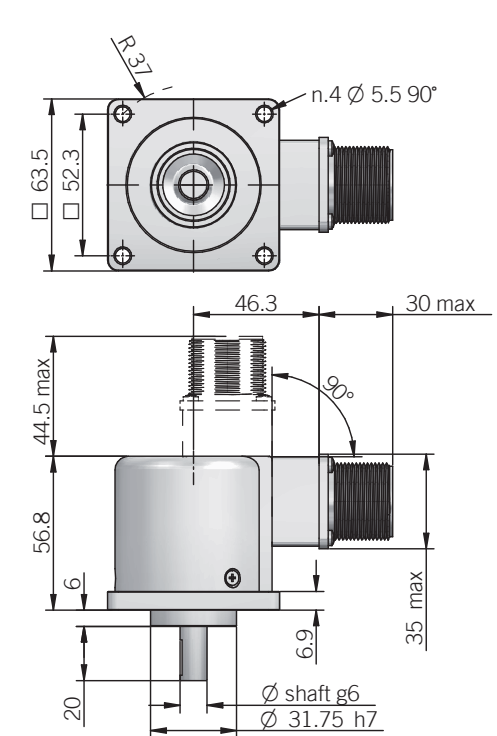
ER	63A	M*	500	S	5/28	P	8	X	6	M	R	.162	+XXX
<p>SERIES incremental encoder series EL incremental encoder series ER</p> <p>MODEL synchronous flange ϕ 31,75 mm 63A centering square flange ϕ 31,75 mm 63D centering square flange ϕ 50 mm 63E</p> <p>METAL COVER * add for metal cover M</p> <p>RESOLUTION ppr from 1 to 24000 refer to the available pulses list</p> <p>ZERO PULSE without zero pulse S with zero pulse Z</p> <p>POWER SUPPLY (with L electrical interface) 5 V DC 5 5 ... 28 V DC 5/28</p> <p>ELECTRICAL INTERFACE NPN open collector C push-pull P line driver L power supply 5/28V - output RS-422 RS</p> <p>SHAFT DIAMETER mm 8 (3/8") mm 9,52 mm 10</p> <p>ENCLOSURE RATING IP 54 X IP 66 S</p> <p>MAX ROTATION SPEED (IP 66) 3000 rpm 3 (IP 54) 6000 rpm 6</p> <p>OUTPUT TYPE cable (standard length 1,5 m) P preferred cable lengths 2 / 3 / 5 / 10 m, to be added after DIRECTION TYPE (eg. PR5) MIL male connector M JIS-C-5432 male connector J M12 male connector M12 M23 male connector H M16 male connector C</p> <p>DIRECTION TYPE axial A radial R</p> <p>MATING CONNECTOR mating connector not included .162 to be reported only with connector output (eg. MR.162), for mating connector see Accessories</p> <p>VARIANT custom version +XXX</p>													

63 A

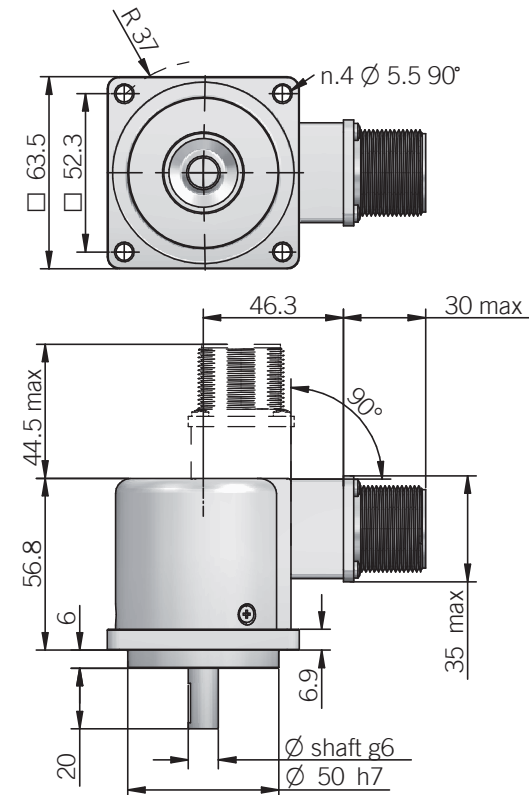


fixing clamps not included, please refer to Accessories

63 D

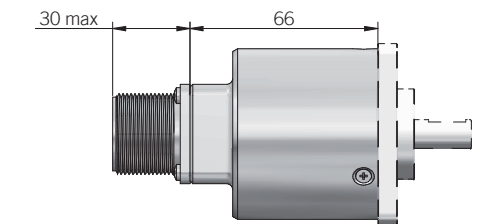


63 E

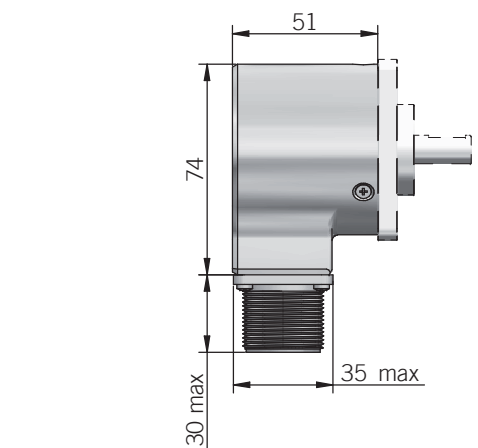


recommended mating shaft tolerance H7
dimensions in mm

Dimension with metal cover and axial output



Dimension with metal cover and radial output



ELECTRICAL SPECIFICATIONS

Resolution	from 1 to 24000 ppr
Power supply¹	5 = 4,5 ... 5,5 V DC 5/28 = 4,5 ... 30 V DC (reverse polarity protection)
Power draw without load	800 mW max
Max load current	C / P = 50 mA / channel L / RS = 20 mA / channel
Electrical interface²	NPN open collector (AEIC-7273, pull-up max +30 V DC) push-pull / line driver HTL (AEIC-7272) line driver RS-422 (AELT-5000 or equivalent)
Max output frequency	250 kHz up to 6000 ppr 500 kHz from 7200 ppr
Counting direction	A leads B clockwise (shaft view)
Electromagnetic compatibility	according to 2014/30/EU directive
RoHS	according to 2011/65/EU (01/09/2020) directive
UL / CSA	certificate n. E212495

EL SERIES RESOLUTIONS

1 - 2 - 4 - 5 - 10 - 15 - 16 - 20 - 25 - 30 - 32 - 40 - 50 - 60 - 70 - 80 - 90 - 160 - 180 - 350 - 450 - 660 - 700 - 750 - 1500

ER SERIES RESOLUTIONS

100 - 120 - 128 - 150 - 200 - 240 - 250 - 256 - 300 - **360** - 400 - 480 - **500** - **512** - **600** - 625 - **720** - 800 - 900 - **1000** - **1024** - 1200 - 1250 - 1440 - 1600 - 1800 - **2000** - **2048** - **2500** - 3000 - **3600** - 4000 - 4096 - **5000** - 6000 - **7200** - 8000 - 8192 - 9000 - **10000** - 10240 - 12000 - **14400** - 16000 - 16384 - 18000 - **20000** - 20480 - 24000

please directly contact our offices for other pulses, preferred resolutions in bold

CONNECTIONS

Function	Cable C / P	Cable L / RS	7 pin J C / P	7 pin J L / RS no Zero	7 pin M C / P	7 pin M L / RS no Zero	10 pin J L / RS with Zero	10 pin M L / RS with Zero	5 pin M12 C / P	8 pin M12 L / RS	12 pin H	5 pin C C / P	8 pin C L / RS
+V DC	red	red	6	4	F	D	4 - 5	D - E	2	7	12	5	7
0 V	black	black	1	6	A	F	6	F	4	1	10	1	8
A+	green	green	3	1	C	A	1	A	3	6	5	2	1
A-	/	brown or grey	/	3	/	C	7	G	/	5	6	/	2
B+	yellow	yellow	5	2	E	B	2	B	1	4	8	4	3
B-	/	orange	/	5	/	E	8	H	/	3	1	/	4
Z+	blue	blue	4	/	D	/	3	C	5	2	3	3	5
Z-	/	white	/	/	/	/	9	I	/	8	4	/	6
≡	shield	shield	7	7	G	G	10	J	housing	housing	9	/	/

<p>J connector (7 pin) JIS-C-5432 Size 16 solder side view FV</p>	<p>M connector (7 pin) Amphenol MS3102-E-16-S solder side view FV</p>	<p>M12 connector (5 pin) M12 A coded solder side view FV</p>	<p>C connector (5 pin) circular M16 solder side view FV</p>	<p>H connector (12 pin) - M23 CCW Hummel 7.410.000000 - 7.002.912.603 solder side view FV</p>
<p>J connector (10 pin) JIS-C-5432 Size 16 solder side view FV</p>	<p>M connector (10 pin) Amphenol MS3102-E-18-1 solder side view FV</p>	<p>M12 connector (8 pin) M12 A coded solder side view FV</p>	<p>C connector (8 pin) M16 IEC 60130-9 solder side view FV</p>	

MECHANICAL SPECIFICATIONS

Shaft diameter	ø 8 / 9,52 (3/8") / 10 mm
Enclosure rating	X = IP 54 (IEC 60529) S = IP 66 (IEC 60529)
Max rotation speed	IP 54 - 6000 rpm IP 66 - EL 3000 rpm / 60° C ER 3000 rpm / 70° C - 2000 rpm / 85° C
Max shaft load³	200 N axial / radial
Shock	50 G, 11 ms (IEC 60068-2-27)
Vibration	10 G, 10 ... 2000 Hz (IEC 60068-2-6)
Moment of inertia	1,5 x 10 ⁻⁶ kgm ² (36 x 10 ⁻⁶ lbf ²)
Starting torque (at +20° C / +68° F)	< 0,02 Nm (2,83 Ozin) IP 54 < 0,06 Nm (8,50 Ozin) IP 66
Bearing stage material	EN-AW 2011 aluminum
Shaft material	1.4305 / AISI 303 stainless steel
Housing material	PA66 glass fiber reinforced / painted aluminum
Bearings	n.2 ball bearings
Bearings life	10 ⁹ revolutions
Operating temperature^{4,5}	-10° ... +60° C (+14° ... +140° F) EL series -25° ... +85° C (-13° ... +185° F) ER series
Storage temperature⁵	-25° ... +70° C (-13° ... +158° F)
Weight	350 g (12,35 oz) 450 g (15,87 oz) with metal cover

¹ as measured at the transducer without cable influences
² for further details refer to OUTPUT LEVELS on TECHNICAL BASICS section
³ maximum load for static usage
⁴ measured on the transducer flange
⁵ condensation not allowed

MAIN FEATURES

Explosion proof encoder for applications within explosive and hazardous areas.

- 3 channel encoder (A / B / Z) up to 10000 ppr
- Power supply up to +28 V DC with several electrical interfaces available
- Up to 500 kHz output frequency
- 10 mm solid shaft diameter
- Mounting by synchronous or centering square flange

EX CLASSIFICATION

It has been assured with EC-TYPE Examination Certificate CESI 04 ATEX 082 that the EX 80 comply with essential health and safety requirements according to

- EN 60079-0:2012+A11:2013
- EN 60079-1:2014
- EN 60079-31:2014

The UE declaration is available on www.eltra.it



ORDERING CODE

EX	80A	500	S	5/28	P	10	X	3	PR	.XXX
SERIES explosion proof encoder series EX										
MODEL synchronous flange ø 40 mm 80A centering square flange ø 40 mm 80D										
RESOLUTION ppr from 100 to 10000 refer to the available pulses list										
ZERO PULSE without zero pulse S with zero pulse Z										
POWER SUPPLY (with L electrical interface) 5 V DC 5 5 ... 28 V DC 5/28										
ELECTRICAL INTERFACE NPN open collector C push-pull P line driver L power supply 5/28V - output RS-422 RS										
SHAFT DIAMETER mm 10										
ENCLOSURE RATING IP 65 X										
MAX ROTATION SPEED 3000 rpm 3										
OUTPUT TYPE radial cable (standard length 1,5 m) PR preferred cable lengths 2 / 3 / 5 / 10 m, to be added after OUTPUT TYPE (eg. PR5)										
VARIANT custom version XXX										